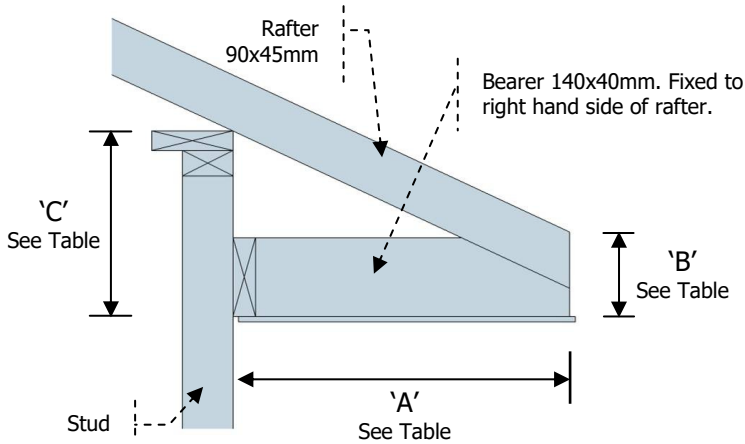
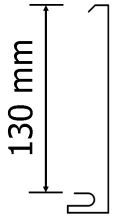


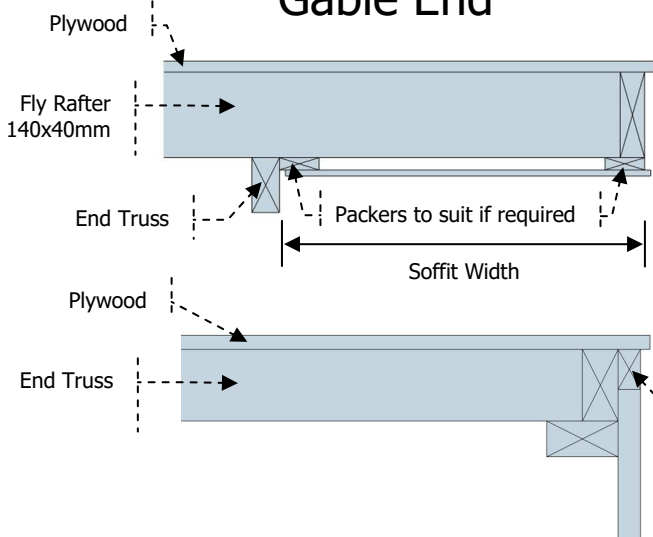
Set Out Details - Asphalt/Fibreglass Shingles

150 Multifit External Fascia

"NEW: Woodgrain Embossed Fascia Available Now!"



Gable End



Roof Pitch (Degrees)	Soffit Widths Dimension 'A' (mm)					Fascia Drop Dimension 'B' (mm)
	300	450	600	750	900	
Soffit Drop Heights Dimension 'C' (mm)						
15°	132	172	213	253	293	145
17.5°	145	193	240	287	334	145
20°	163	218	273	327	382	150
22.5°	177	239	301	363	425	150
25°	191	261	330	400	470	150
27.5°	205	283	361	439	517	150
30°	224	311	397	484	571	155
35°	260	365	470	575	680	160
40°	299	425	551	677	803	165
45°	343	493	643	793	943	170
Bearer Size of 140 x 40						
All measurements must be checked on site prior to installation.						

Important Set Out Notes:

- Soffit bearer fixed to right hand side of the rafter, looking at the building.
- To ensure birds cannot enter the roof space leave the bottom purlin off until fascia has been installed.
- Based on minimum purlin thickness of 45mm.
- A 10mm soffit clearance has been allowed for.
- Multifit Panel Fascia System is suitable for use with sloping soffits up to 35°.
- Soffit bearers are required on all hip corners.

Important Product Notes:

- Store product securely on site away from incompatible materials and protect from wind and operating machinery.
- Product surface protected with plastic film should be stored under cover, away from u/v light, and film removed immediately after installation.
- It is a requirement of the products warrantee to obtain and thoroughly read a copy of Roofing Industries handling, storage and installation guide. Available from the supplying branch or alternatively from www.roof.co.nz

Steps To Follow:

- Inform precutter that Multifit External Fascia is being used.
- Keep in contact with the authorised installer in your area of progress/when ready for installation.
- Multifit fascia can be installed to other fascia system set outs, only by a few simple steps. Contact your local installer or Roofing Industries.