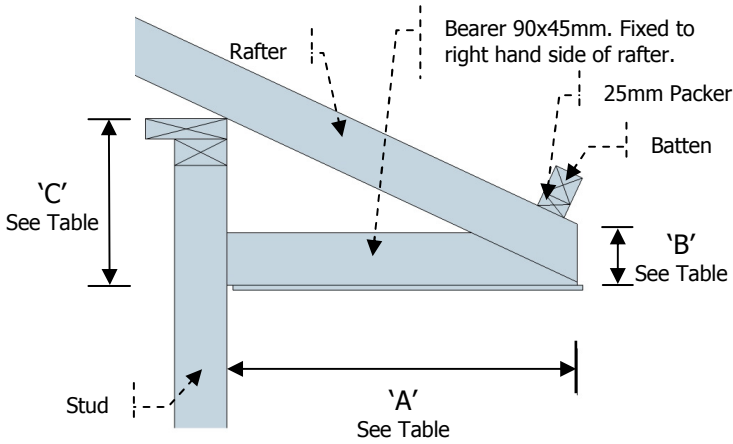


# 185 Multifit External Fascia

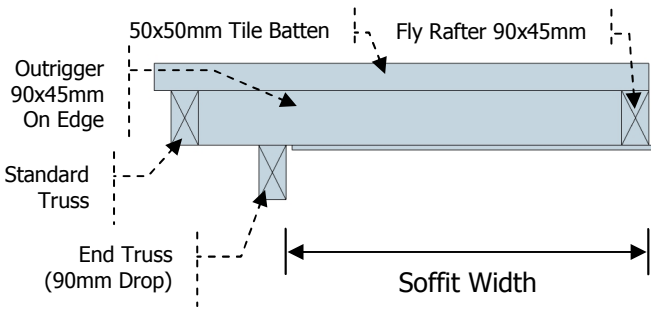
"NEW: Woodgrain Embossed Fascia Available Now!"



Roof Pitch (Degrees)	Soffit Widths Dimension 'A' (mm)					Fascia Drop Dimension 'B' (mm)
	300	450	600	750	900	
	Soffit Drop Heights Dimension 'C' (mm)					
15°	92	132	173	213	253	105
17.5°	105	153	200	247	294	105
20°	118	173	228	282	337	105
22.5°	132	194	256	318	380	105
25°	151	221	290	360	430	110
27.5°	165	243	321	399	477	110
30°	179	266	352	439	526	110
35°	215	320	425	530	635	115
40°	249	375	501	627	753	115
45°	288	438	588	738	888	115

**All measurements must be checked on site before installation.**

## Gable End



### Important Set Out Notes:

- In all cases gable end will require a packer under rafter to accommodate the various pitches.
- Soffit bearer fixed to right hand side of the rafter, looking at the building.
- To ensure birds cannot enter the roof space leave the bottom purlin off until fascia has been installed.
- Based on minimum purlin thickness of 45mm.
- A 10mm soffit clearance has been allowed for.
- 185 Multifit Big Panel Fascia System is suitable for use with longrun roofs with sloping soffits up to 35°.
- Soffit bearers are required on all hip corners.

### Important Product Notes:

- Store product securely on site away from incompatible materials and protect from wind and operating machinery.
- Product surface protected with plastic film should be stored under cover, away from u/v light, and film removed immediately after installation.
- It is a requirement of the products warrantee to obtain and thoroughly read a copy of Roofing Industries handling, storage and installation guide. Available from the supplying branch or alternatively from [www.roof.co.nz](http://www.roof.co.nz)

### Steps To Follow:

- Inform precutter that Multifit External Fascia is being used.
- Keep in contact with the authorised installer in your area of progress/when ready for installation.
- Multifit fascia can be installed to other fascia system set outs, only by a few simple steps. Contact your local installer or Roofing Industries.